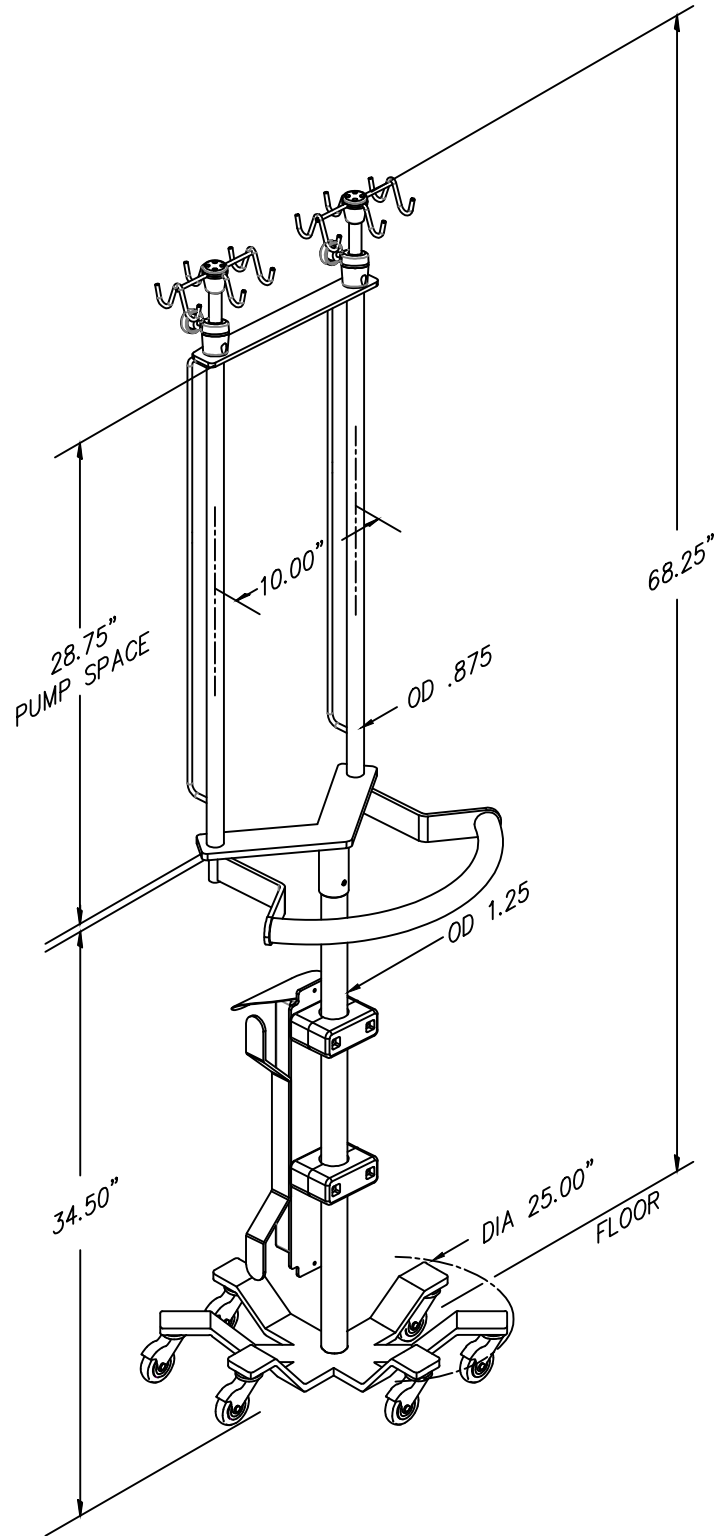




CAT. NO. 905



SIX-LEGGED HEAVY WEIGHT EXTRA THICK BASE 25.00" IN DIA. OFF WHITE EPOXY FINISH WITH, 6 EA SOFT RUBBER 3" BALL BEARING CASTERS, CORD WRAP WITH 6 OUTLET UL APPROVED HOSPITAL-GRADE ELECTRICAL STRIP, WITH PROTECTIVE COVER. PATIENT SUPPORT WHEEL. STAINLESS STEEL PUMP ADAPTER WITH STAINLESS STEEL PUMP DEFEAT HANDLES AND SLOW DESCENDING TELESCOPING POLES WITH 12 STAINLESS STEEL HOOKS. 99.00" FULLY EXTENDED 68.25" COMPRESSED. SHIPPING BOX IS 13 X 13 X 35 HEX BOX. SHIPPING WEIGHT IS APPROXIMATELY 50 LBS.

NOTE: ALL DIMENSIONS ARE IN INCHES.

