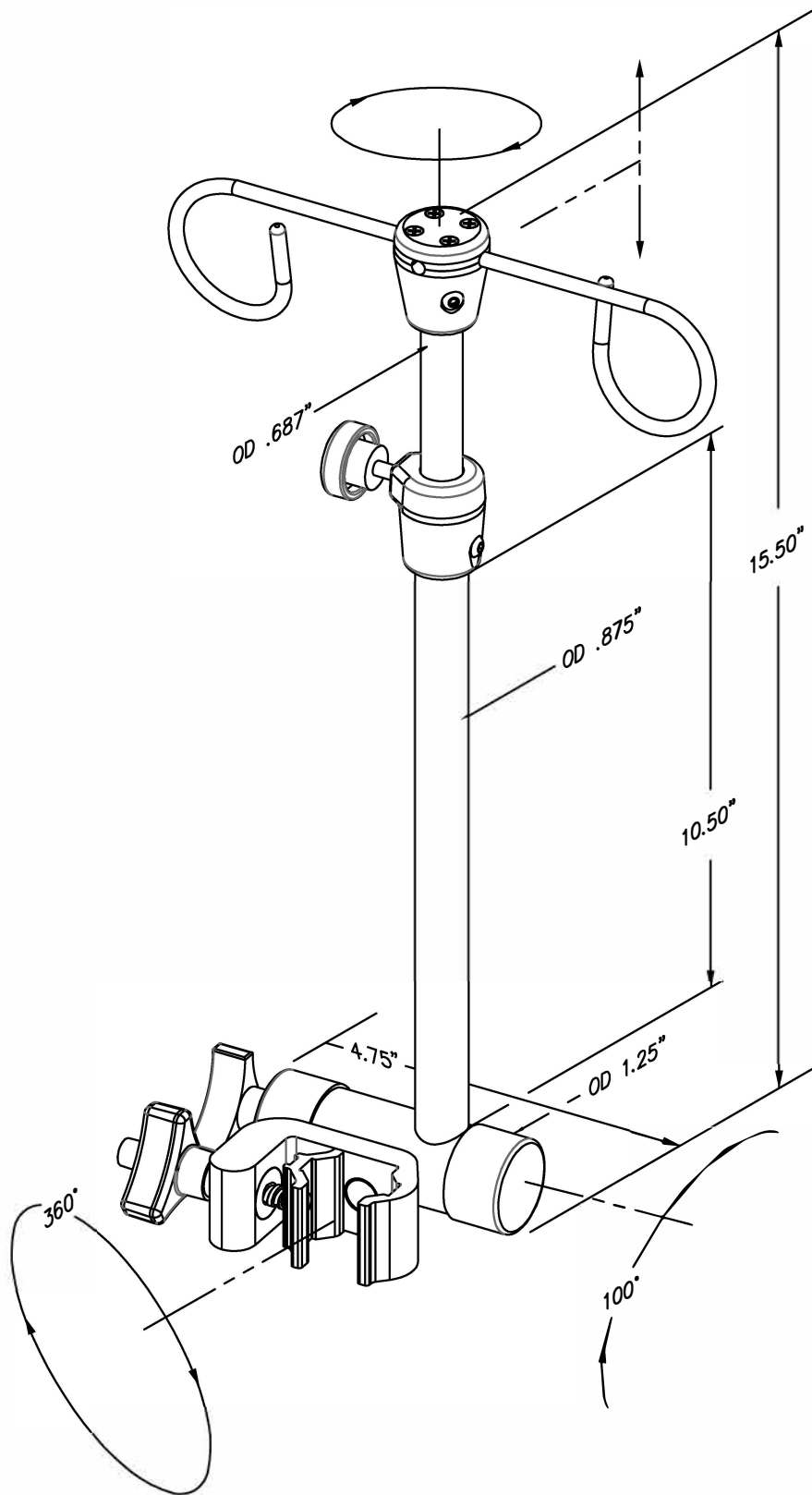




CAT. NO. 150



TELESCOPING STAINLESS STEEL I.V. POLE WITH 2 STAINLESS STEEL HOOKS.
 24" FULLY EXTENDED 15.5" COMPRESSED WITH SLOW DESCENDING INNER POLE.
 POLE ADJUSTS TO HORIZONTAL AND VERTICAL ROTATIONAL PLANE. ALUMINUM CLAMP
 MOUTH ACCOMODATES 1/2" - 1.40" ROUND, SQUARE AND RECTANGULAR SHAPES.
 CLAMP ALSO MOUNTS TO DRAGER BARS. BRUSHED STAINLESS FINISH.
 SHIPPING BOX IS 26 X 11.5 X 2 SHIPPING WEIGHT 3.5 LBS

NOTE: ALL DIMENSIONS ARE IN INCHES.



ILL-150EV A