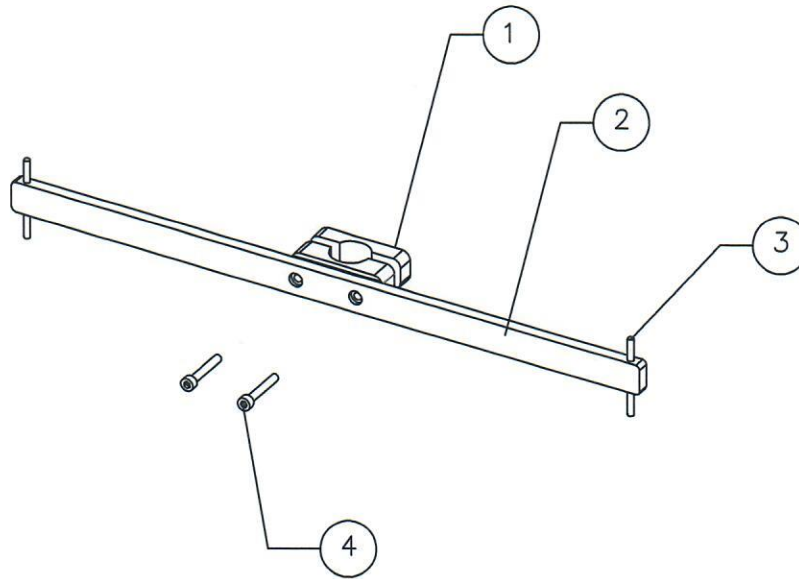




CAT. NO. 305

PARTS LIST			
ITEM	DESCRIPTION	QTY	P/N
1	MOUNT BLOCKS	1 SET	ALM-1019
2	CROSS BAR	1	ALM-1348
3	ROLL PIN	2	SCR-XXXX
4	BOLT	2	SCR-XXXX
NOTE SHOWN	HEX KEY	1	SCR-1320
	22.00" MAIL TUBE	1	PAC-XXXX
	END CAPS	1	PAC-XXXX
	POLY BAG	1	PAC-XXXX



935-0178

Note: Drager mount bar for 1-1/4 dia poles.

AGW UNITS CAN BE USED WITH CAT NO. 935-0178, 945-0811-NPT, RD-0616-NPT

CLEANING: SOLUTIONS USED IN CONJUNCTION WITH THIS PRODUCT MAY BE CORROSIVE. IT IS RECOMMENDED TO WIPE DOWN IV STAND ONCE A WEEK MORE OFTEN IF REQUIRED WITH A DAMP TOWEL AND A MILD CLEANING SOLUTION. NOTE IF IV SOLUTION SPILLS ON PRODUCT, CLEAN IMMEDIATELY.

EC REP

EMERGO EUROPE Molenstraat 15 2513 BH, The Hague The Netherlands Tel: +31 (0)70 345 8570 Fax +31 (0)70 346 7299



Pryor Products 1819 Peacock Blvd., * Oceanside, California 92056 USA * Telephone:(760) 724-8244 * Toll Free:(800) 854-2280 * Fax:(760) 724-0944



LBL-XXXX REV A