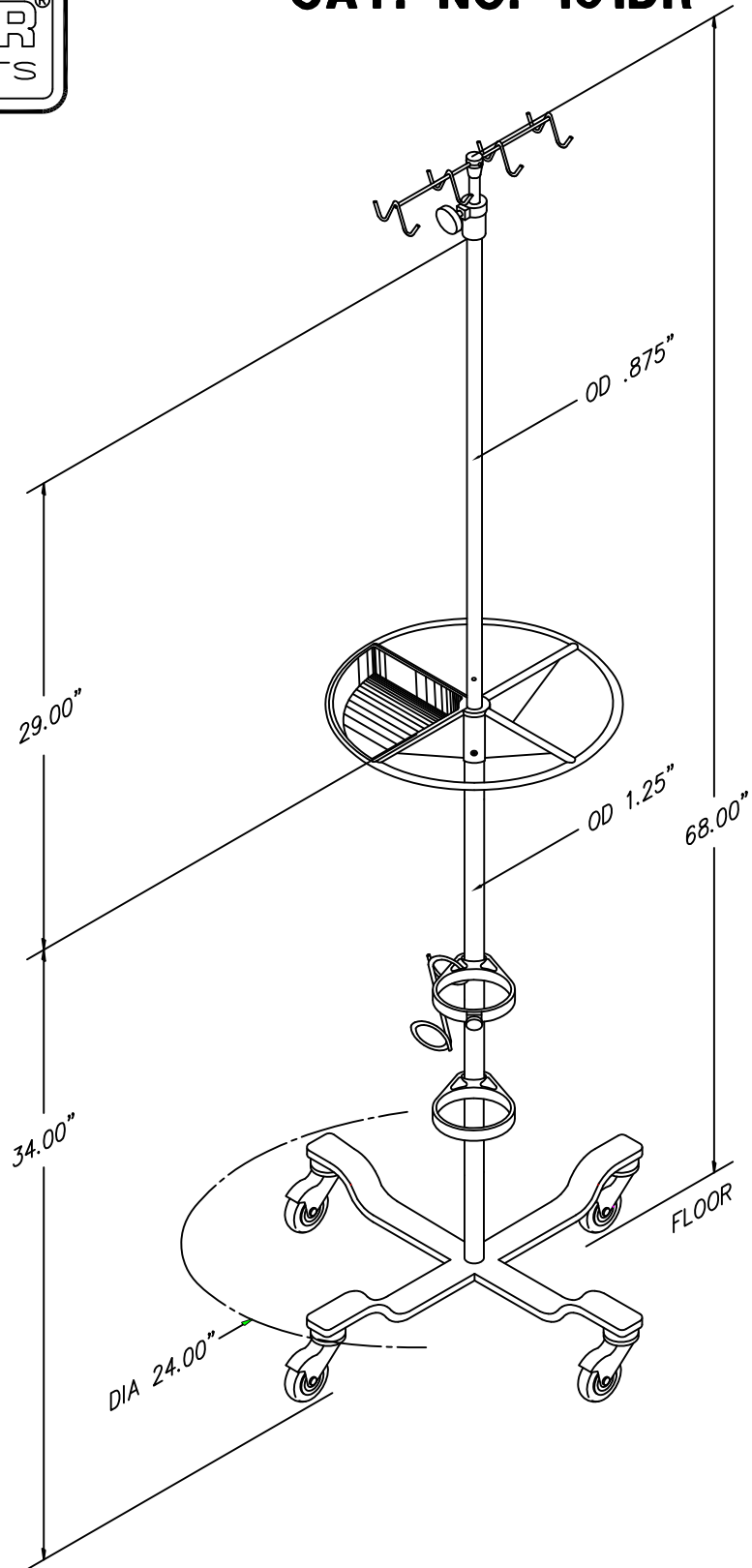




# CAT. NO. 101DR



FOUR-LEGGED HEAVYWEIGHT DETACHABLE BASE 24.00" DIA. OFF-WHITE EPOXY FINISH WITH, 4 EA SOFT RUBBER 3" BALL BEARING CASTERS, PATIENT SUPPORT WHEEL, WITH UTILITY TRAY. OXYGEN TANK HOLDER, WHICH HOLDS UP TO AN E SIZE CYLINDER. STAINLESS STEEL S HOOK, TELESCOPING STAINLESS STEEL I.V. POLE WITH SLOW DESCENDING INNER POLE. 8 STAINLESS STEEL HOOKS. 99" FULLY EXTENDED 68" COMPRESSED. SHIPPING BOX IS 23.75 X 6.00 X 35.00 BOX. SHIPPING WEIGHT 32LBS.

**NOTE:** ALL DIMENSIONS ARE IN INCHES.