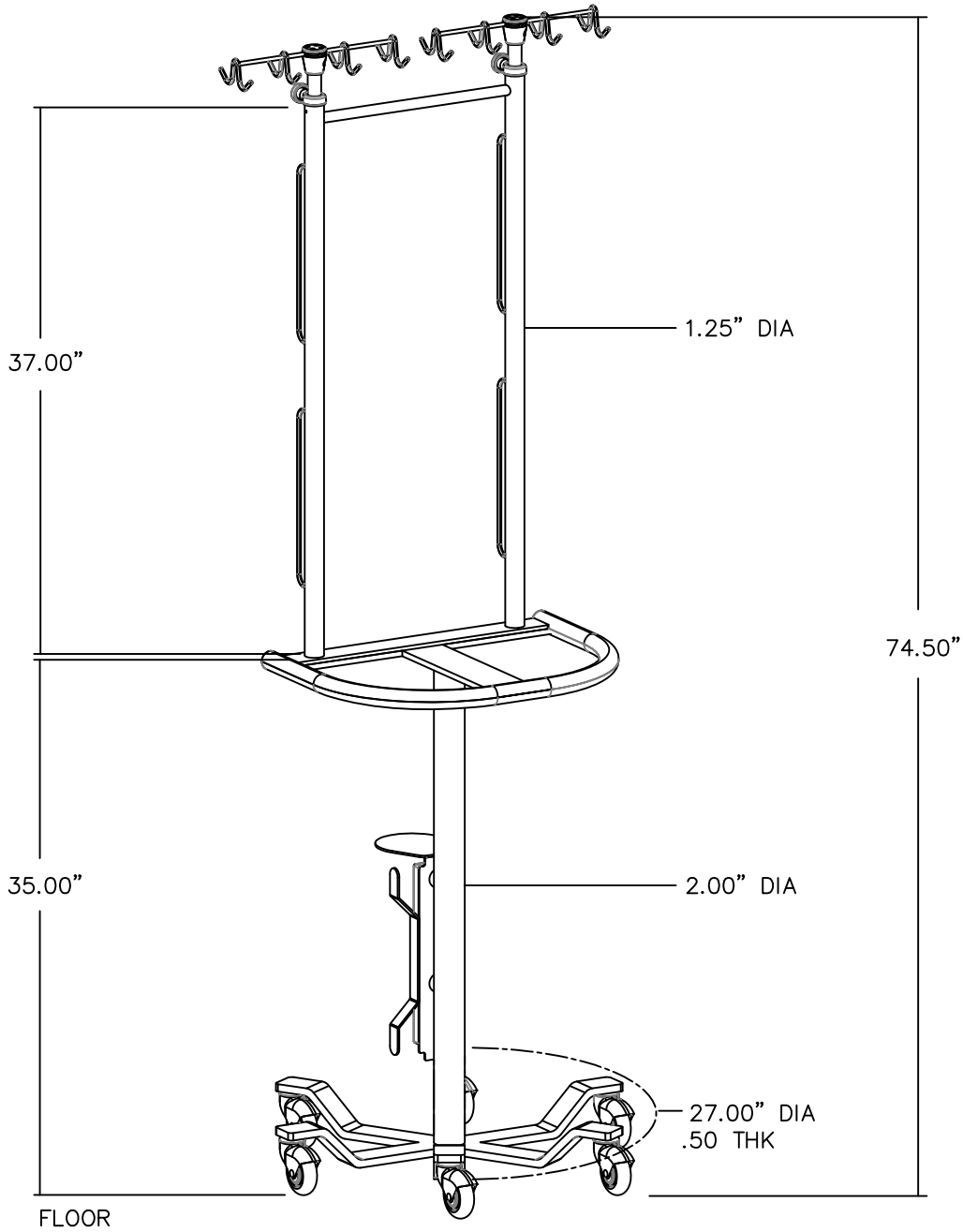




CAT. NO. 840



SIX-LEGGED HEAVYWEIGHT BASE 27.00" DIA. WHITE EPOXY FINISH WITH 6 EA SOFT RUBBER 3.00" BALL BEARING CASTERS. 6-OUTLET ELECTRICAL STRIP, WITH PROTECTIVE COVER AND CORD WRAP. PATIENT SUPPORT HANDLE. OFF SET STAINLESS STEEL DUAL POLES WITH SLOW DESCENDING INNER POLES. 2 X 8 STAINLESS STEEL HOOKS 100" FULLY EXTENDED 74" COMPRESSED. SHIPPING BOX IS 38.50 X 25.00 X 25.00 HEX BOX. SHIPPING WEIGHT 70 LBS.

NOTE: ALL DIMENSIONS ARE IN INCHES.