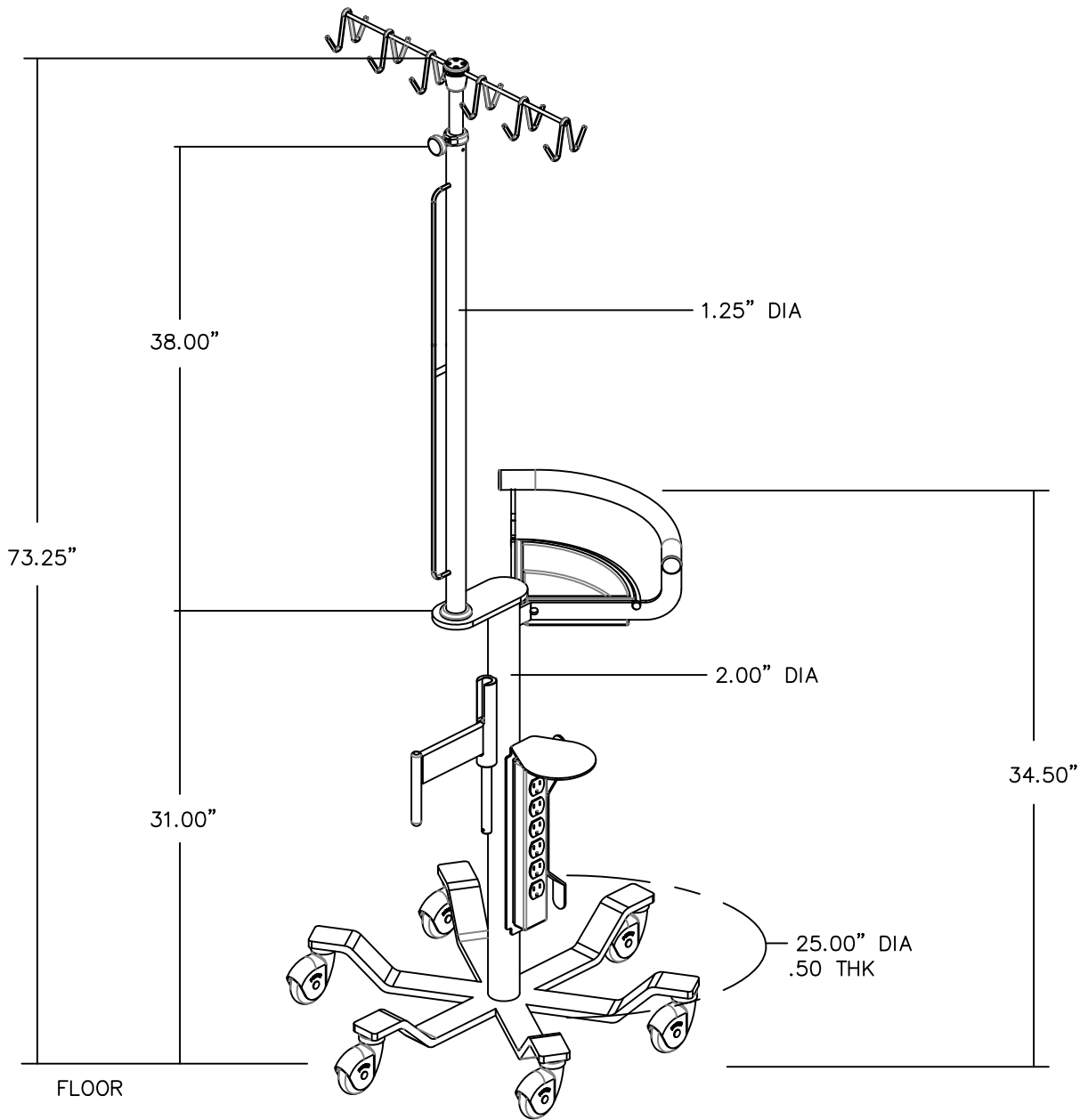




CAT. NO. 811



SIX-LEGGED HEAVYWEIGHT BASE 25.00" DIA. WHITE EPOXY FINISH WITH, 6 EA SOFT RUBBER 3.00" BALL BEARING CASTERS. 6-OUTLET ELECTRICAL STRIP, WITH PROTECTIVE COVER AND CORD WRAP. PATIENT SUPPORT HANDLE. OFF-SET STAINLESS STEEL TOP POLE WITH SLOW DESCENDING INNER POLE. BED TRANSPORT HITCH. 12 STAINLESS STEEL HOOKS 97.00" FULLY EXTENDED 73.25" COMPRESSED SHIPPING BOX IS 13.00 X 13.00 X 35.00 BOX. SHIPPING WEIGHT 59 LBS.

NOTE: ALL DIMENSIONS ARE IN INCHES.

1819 Peacock Blvd., * Oceanside, California 92056 USA * Telephone: (760) 724-8244 * Toll Free: (800) 854-2280 * Fax: (760) 724-0944