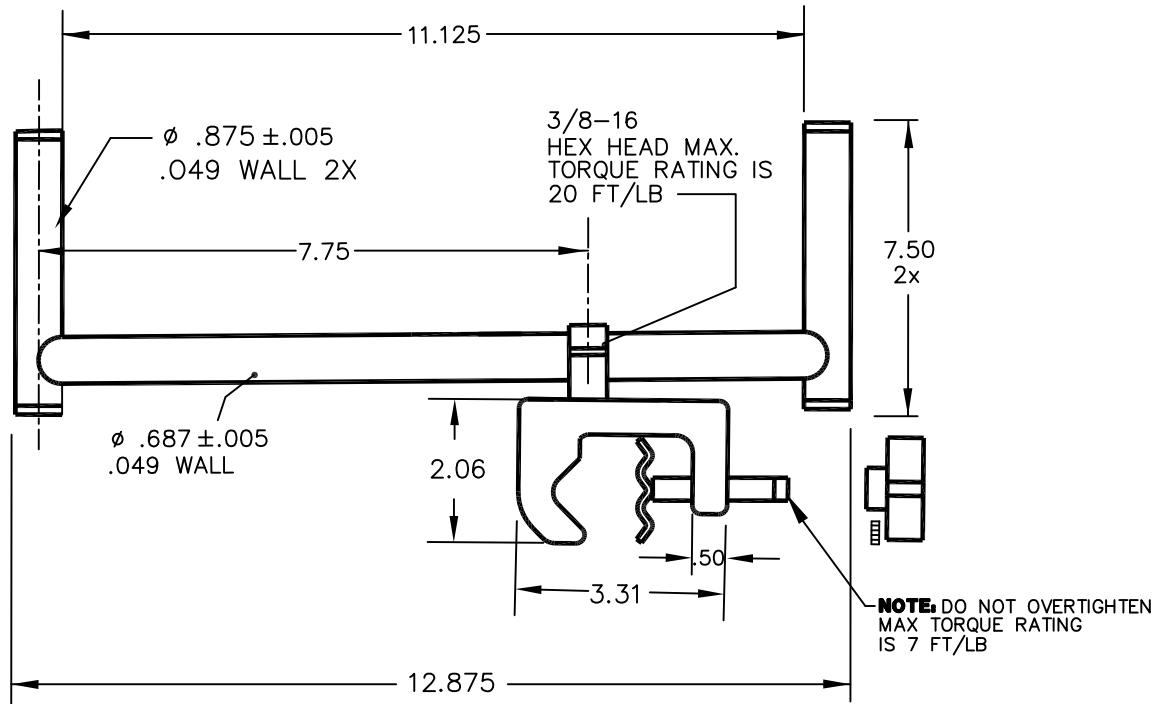




CAT. NO. 351



.XX = $\pm .06$

SPECIFICATION: THE DUAL-POLE ADAPTER (ABOVE) HAS TWO WELDED UPRIGHTS WITH BLACK NYLON INSERTS AND CAPS. THE TWIN-POLE IS MANUFACTURED FROM BRUSHED STAINLESS STEEL TUBING WITH AN ALUMINUM CLAMP AND A DETACHABLE KNOB FOR EXTRA TORQUE.

NOTE: DO NOT LOAD MORE THAN 20 LBS PER UP-RIGHT.

THE TWIN-POLE CLAMP IS FACTORY ADJUSTED TO A 90 DEGREE ANGLE WHEN MOUNTED TO A VERTICAL POLE. ADDITIONAL POSITIONS MAY BE OBTAINED BY LOOSENING HEX SCREW AND RETIGHTENING (VERY TIGHT) (MAX TORQUE RATING 20 FT/LB.) ONCE A POSITION IS OBTAINED.

ATTENTION: EACH TWIN-POLE ADAPTER IS DESIGNED TO HOLD THE COLLEAGUE™ SINGLE CHANNEL VOLUMETRIC INFUSION PUMP AND SHOULD BE ATTACHED TO A VERTICAL IV POLE. DO NOT OVER LOAD. IF THE POLE APPEARS TO BE UNSTABLE LOWER THE ADAPTER TO ACHIEVE A LOWER CENTER OF GRAVITY.

CLEANING: SOLUTIONS USED IN CONJUNCTION WITH THIS PRODUCT MAY BE CORROSIVE. IT IS RECOMMENDED TO WIPE DOWN PRODUCT ONCE A WEEK MORE OFTEN IF REQUIRED WITH A DAMP TOWEL AND A MILD CLEANING SOLUTION. **NOTE** IF IV SOLUTION SPILLS ON CLAMP, CLEAN IMMEDIATELY.

NOTE: ALL DIMENSIONS ARE IN INCHES.



ILL-351 REV A