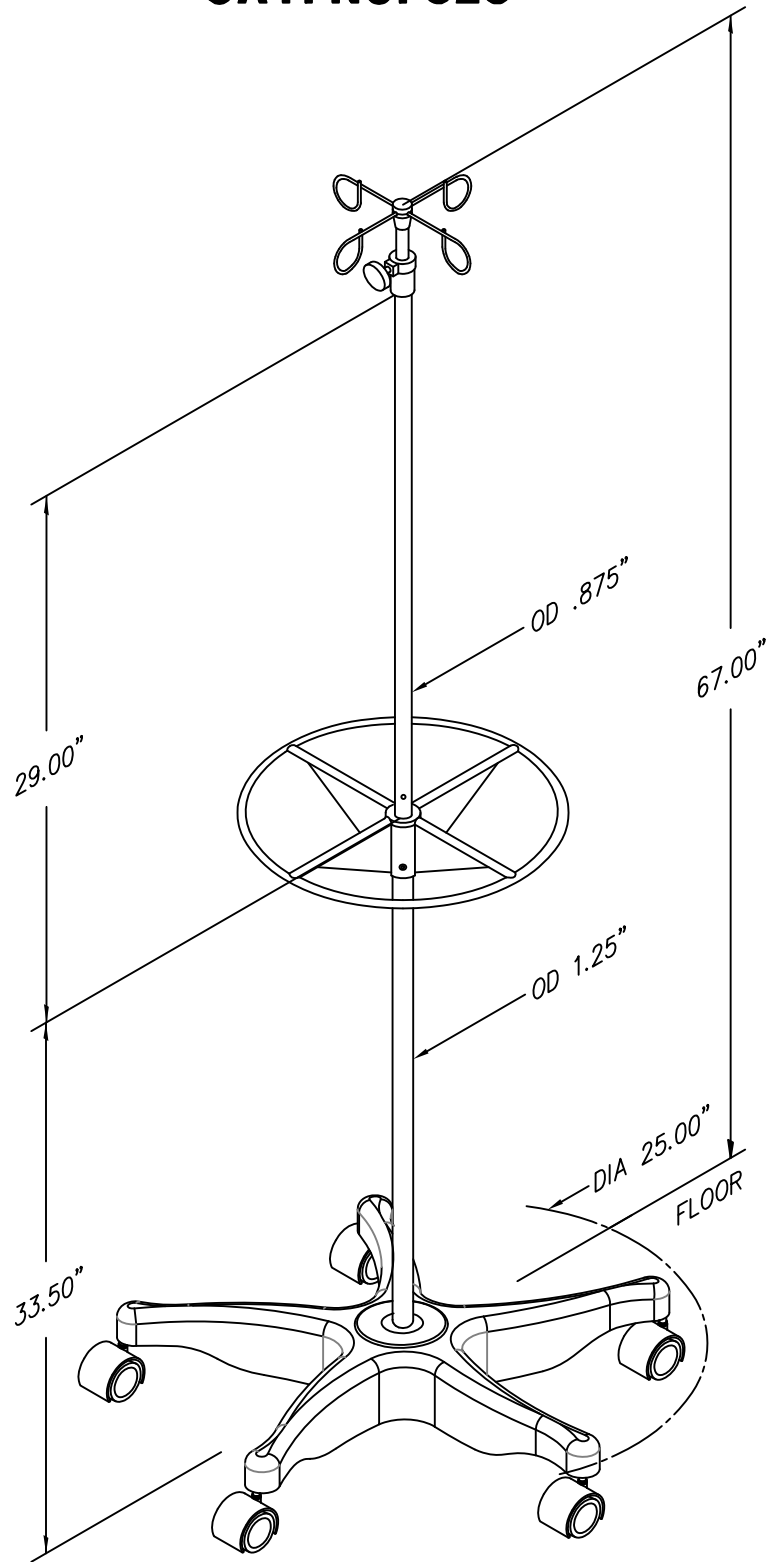




CAT. NO. 328



FIVE-LEGGED OFF WHITE EPOXY COATED BASE 25.00" DIA WITH 5 EA PLASTIC 2" HOODED CASTERS. PATIENT SUPPORT WHEEL. STAINLESS STEEL BASE POLE, TELESCOPING STAINLESS STEEL TOP POLE, WITH SLOW DESCENDING INNER POLE. 4 STAINLESS STEEL HOOKS. TOP POLE REACHES 94" FULLY EXTENDED 67" COMPRESSED. SHIPPING BOX IS 33.5 X 23.5 X 9.62. SHIPPING WEIGHT 16 LBS.

NOTE: ALL DIMENSIONS ARE IN INCHES.