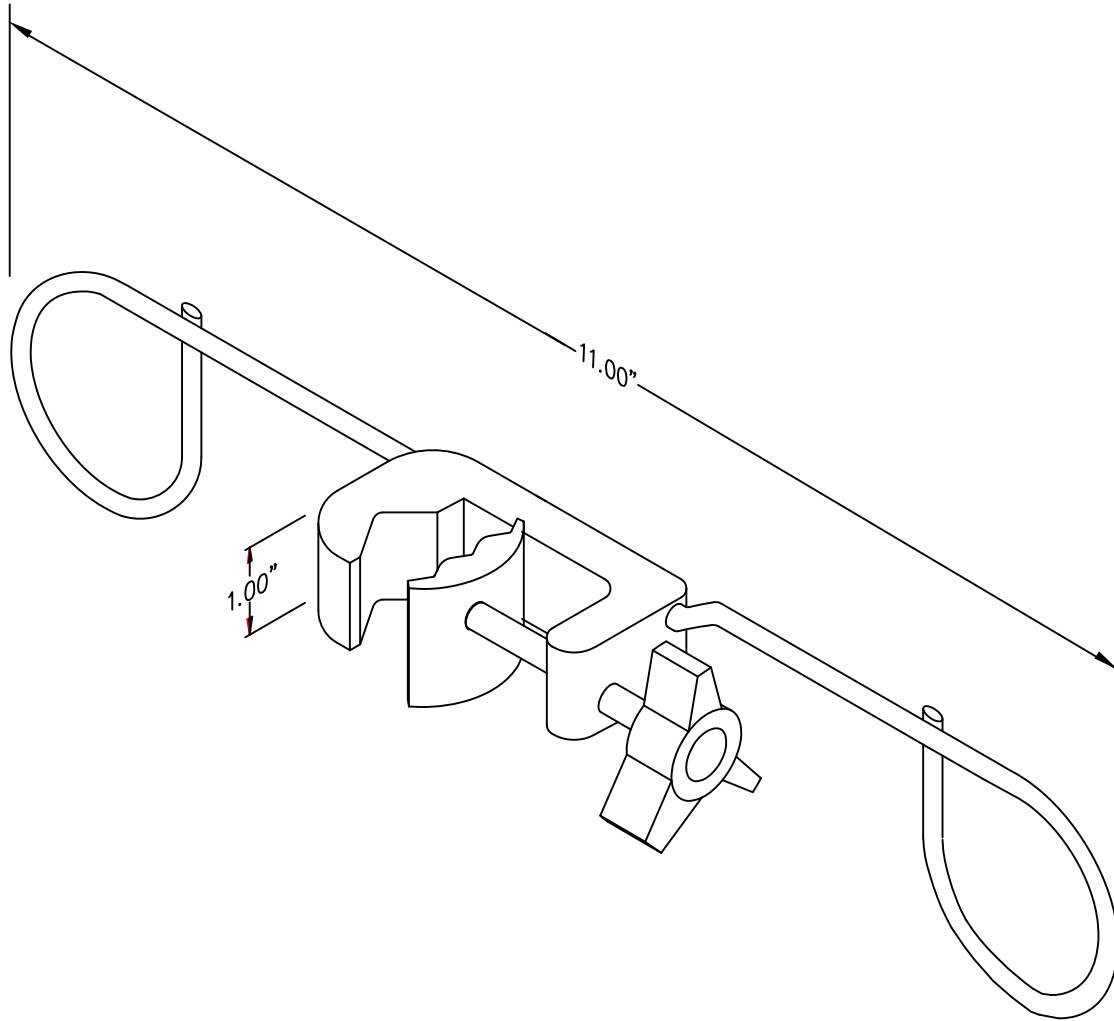




CAT. NO. 210



CLAMP HANGER ACCOMMODATES ALL PRYOR PRODUCTS POLES 11/16 THUR 1-1/4. POLISHED 1/4" DIA STAINLESS STEEL HOOKS. BLACK ANODIZED ALUM CLAMP, WITH THRUST PLATE. SHIPPING BOX IS 14-1/2 X 6-1/2 X 2-1/2 SHIPPING WEIGHT IS 2 LBS.

NOTE: ALL DIMENSIONS ARE IN INCHES.