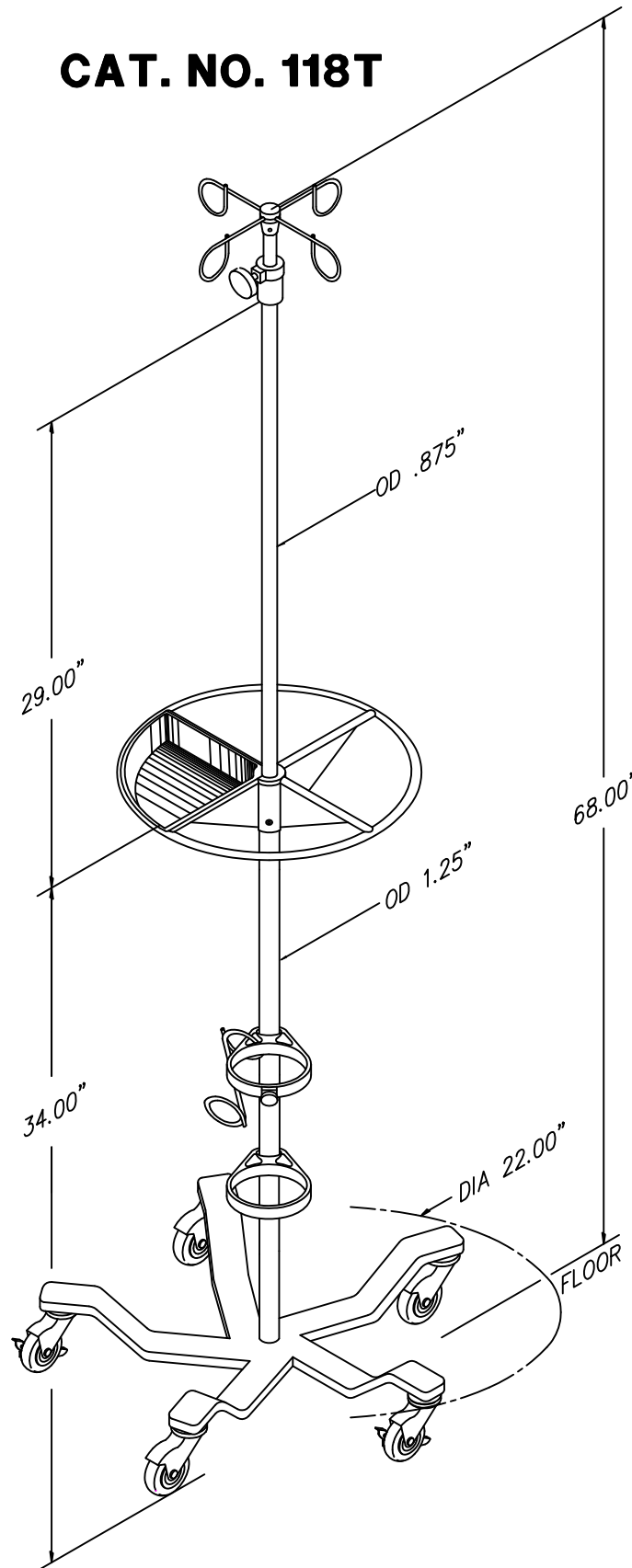




CAT. NO. 118T



FIVE-LEGGED HEAVYWEIGHT BASE 22.00" DIA. OFF-WHITE EPOXY FINISH WITH 5 EA SOFT RUBBER 3" BALL BEARING CASTERS, TWO EACH LOCKING. PATIENT SUPPORT WHEEL WITH UTILITY TRAY, OXYGEN TANK HOLDER TO HOLD E SIZE CYLINDER. STAINLESS STEEL S HOOK, TELESCOPING STAINLESS STEEL I.V. POLE WITH SLOW DESCENDING INNER POLE 4 STAINLESS STEEL HOOKS. 95" FULLY EXTENDED 68" COMPRESSED. SHIPS DISASSEMBLED. SHIPPING BOX IS 23 X 6 X 34.75 BOX. SHIPPING WEIGHT 33.75 LBS.

NOTE: ALL DIMENSIONS ARE IN INCHES.

ILL-121T REV D