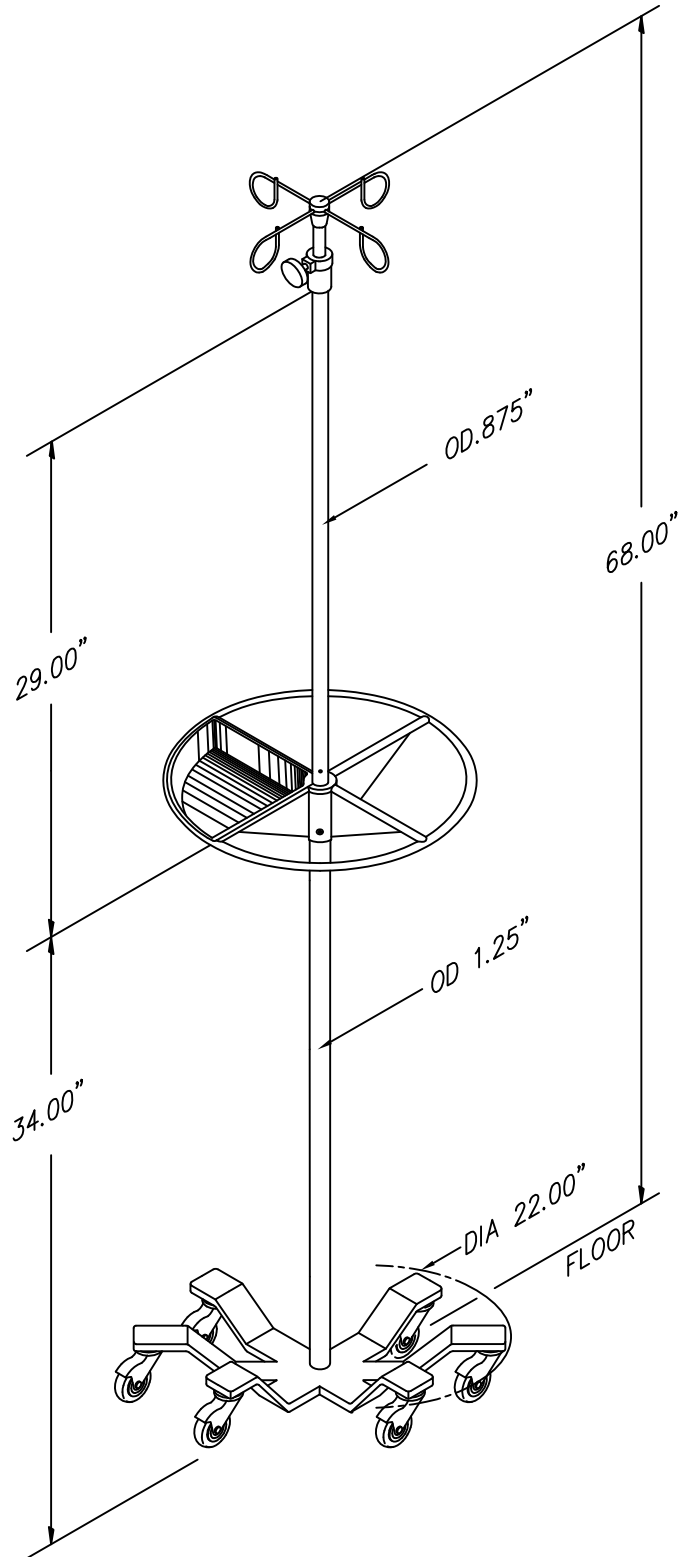




CAT. NO. 115



SIX-LEGGED HEAVYWEIGHT BASE 22.00" DIA. OFF-WHITE EPOXY FINISH WITH, 6 EA SOFT RUBBER 3" BALL BEARING CASTERS. PATIENT SUPPORT WHEEL WITH UTILITY TRAY. TELESCOPING STAINLESS STEEL IV POLE WITH 4 STAINLESS STEEL HOOKS. SLOW DESCENDING INNER POLE. 99" FULLY EXTENDED 68" COMPRESSED. SHIPPING BOX IS 22.25 X 20 X 34.5 BOX. SHIPPING WEIGHT 35 LBS.

NOTE: ALL DIMENSIONS ARE IN INCHES.

ILL-115 REV C