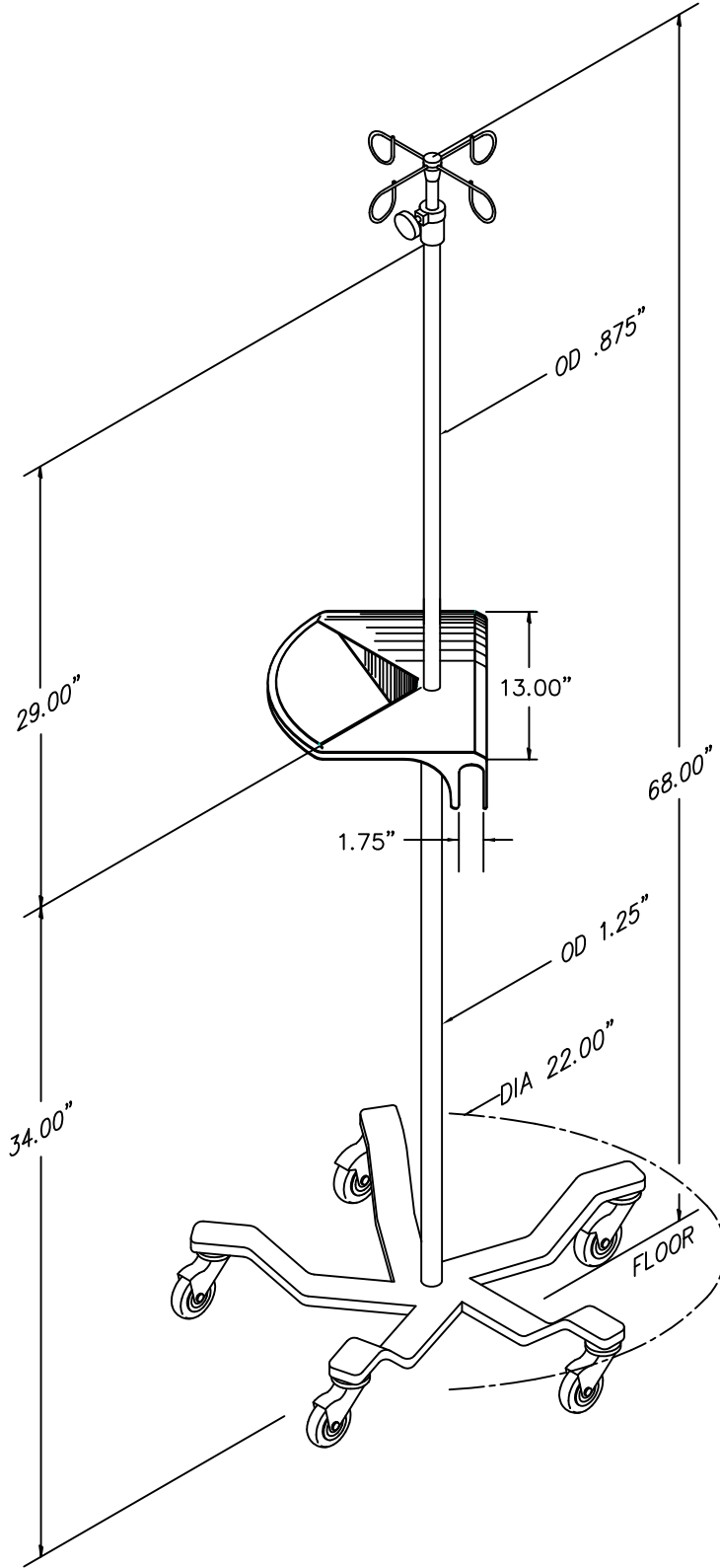




CAT. NO. 101T5



FIVE-LEGGED HEAVYWEIGHT BASE 22.00" DIA. OFF-WHITE EPOXY FINISH WITH, 5 EA. SOFT RUBBER 3" BALL BEARING CASTERS, PATIENT SUPPORT WHEEL, AND HEADBOARD TOE CHANNEL. TELESCOPING STAINLESS STEEL I.V. POLE WITH SLOW DESCENDING INNER POLE. 4 STAINLESS STEEL HOOKS. 95" FULLY EXTENDED 68" COMPRESSED. SHIPPING BOX IS 22.25 X 20 X 34.5 BOX. SHIPPING WEIGHT 34 LBS.

NOTE: ALL DIMENSIONS ARE IN INCHES.

ILL-101T5 REV A